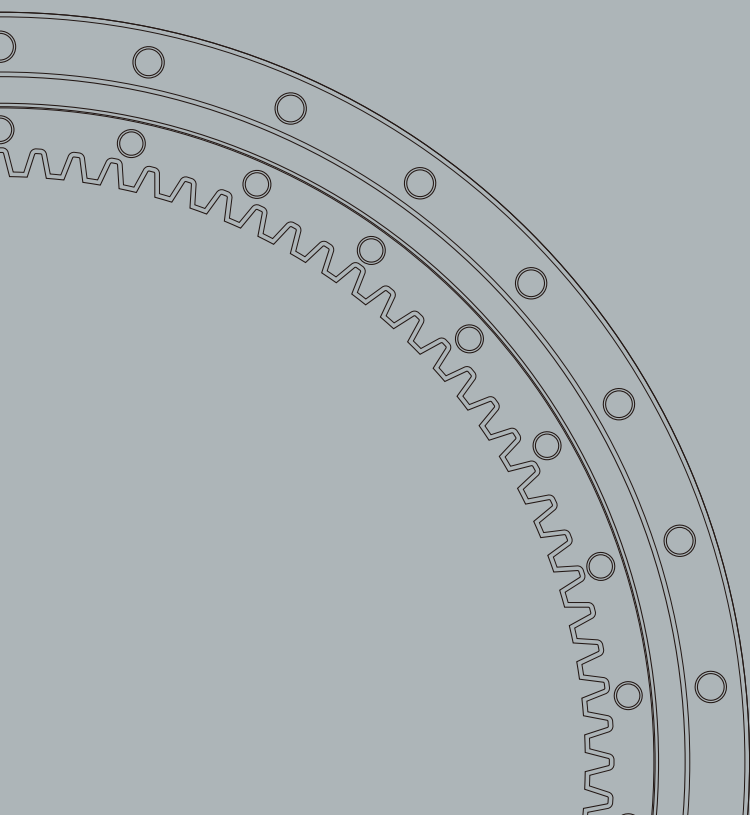
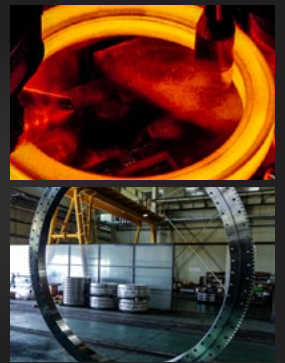
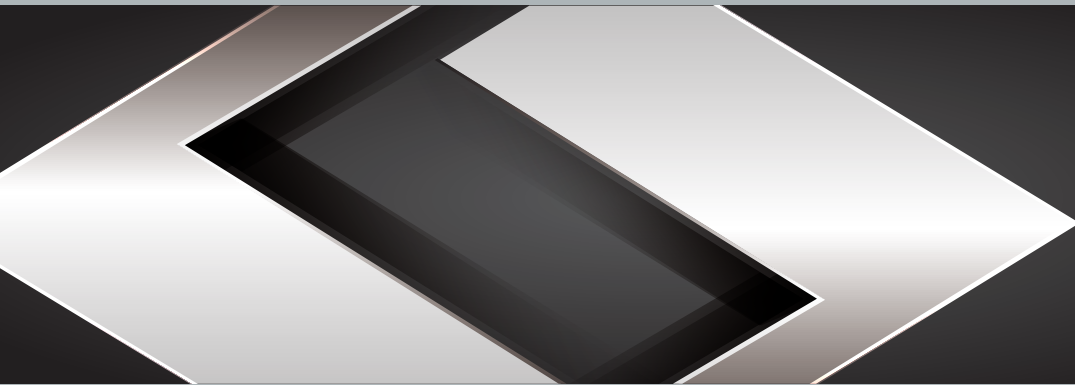


SLEWING BEARING

GLOBAL LEADER



Challenge Together to The Blue Ocean

SHIN IL strives to become a company that goes beyond competition by creating new values.

TABLE OF CONTENTS

INTRODUCTION

04 About SHINIL

- Greeting
- Mission & Vision

BUSINESS AREA

08 Products & Application

- Application
- Product description

CUSTOMER SERVICE

- 16 Technical Support
- 18 Location

Global Top Companies

SHIN IL maintains a leading position in the global industry with our continuous quality and technology improvement.

Greeting

Founded in 1976, SHIN IL is a manufacturer specializing in slewing bearings for excavators, construction equipment, shipment cranes, TBM, Wind Turbine, and other industrial facilities.

With the encouragement of our customers, we have achieved steady growth, and despite the difficulties in our growth process, we maintain a leading position in the global industry with our continuous quality and technology improvement.

SHIN IL does always think and practice at the customer's point of contact, and has the know-how and management system that quickly reflects various customers voice into the product, providing reliable products.

However, SHIN IL will focus on the investments for technology development, quality improvement, and automation in order to make a second leap forward, strengthening its position as a global leader in the industry, and rewarding customers with more competitive and reliable products.

Thank you so much for always being with us.

Mission & Vision

SHIN IL will focus on the investments for technology development, quality improvement, and automation in order to make a second leap forward, strengthening its position as a global leader in the industry, and rewarding customers with more competitive and reliable products.

Mission

Forecast the future, Prepare the future, Promise the future



Forecast the future



Prepare the future



Promise the future

Vision



Global Top Tier



Global Leader in Slewing Bearing

Quality Policy

“Quality management to achieve quality commitments with customers”

SHIN IL exerts to realize customer satisfaction and impressions through quality innovation, quality technology improvement, quality communication.



Customer Communication



Quality Improvement



Quality Innovation



Quality Advancement



Customer Satisfaction



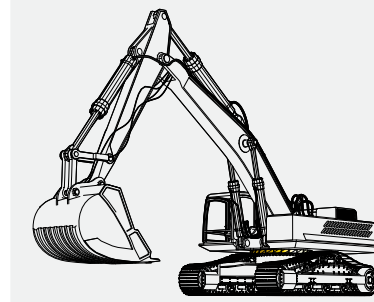
Application

SHIN IL is a manufacturer specializing in slewing rings for excavators, construction equipment, shipment cranes, TBM, and other industrial facilities.

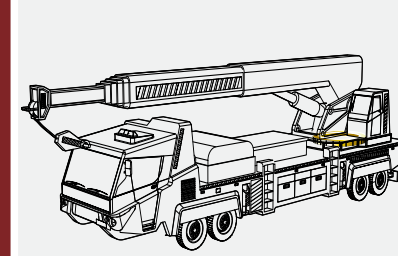


•Application

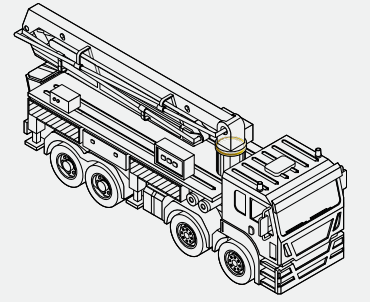
Excavator



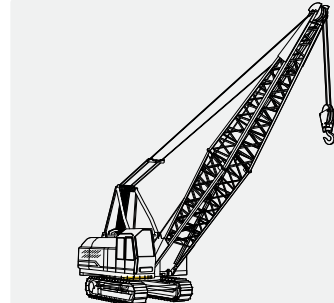
Mobile Crane



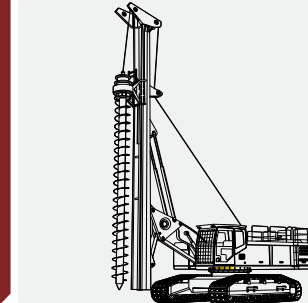
Concrete Pump Car



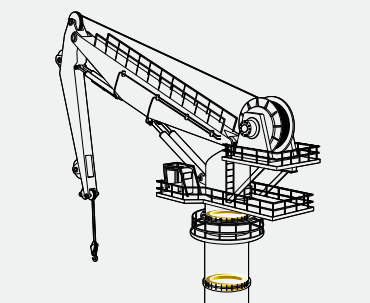
Crawler Crane



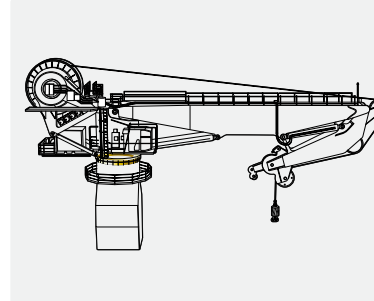
Crawler Drill



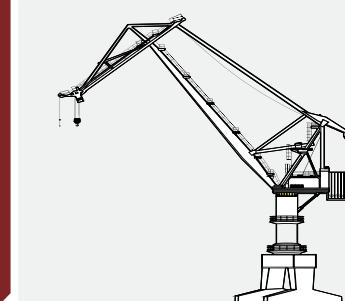
Deck Crane



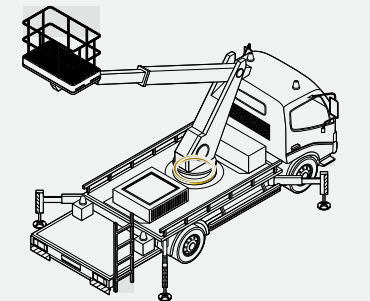
Gantry Crane



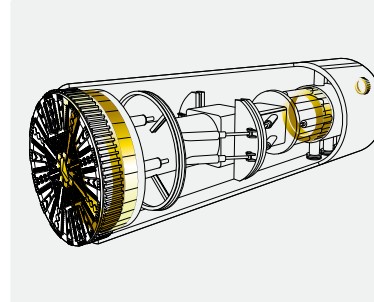
CSU



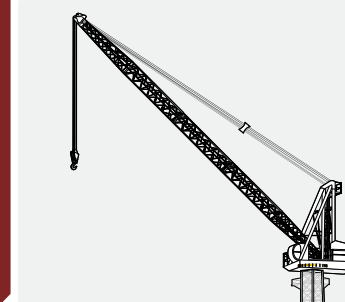
Aerial Work Platforms



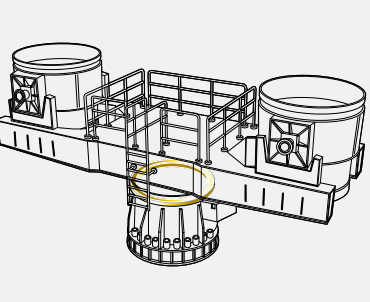
Tunnel Boring Machine



Tower Crane



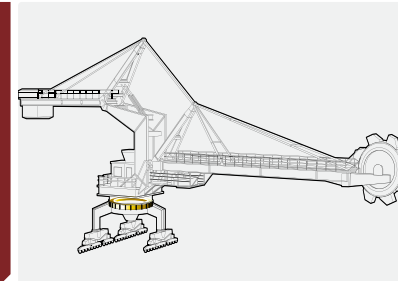
Ladle Turret



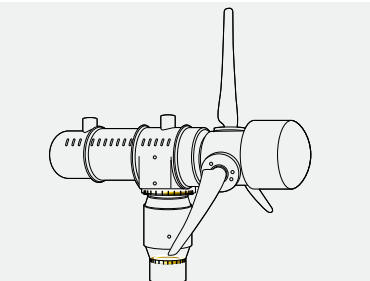
Wind Turbin



Reclaimer



Marine Current Turbines



Products Description

• Single Row Four Point Bearing

Double Row Eight Point Bearing

Double Row Ball Bearing

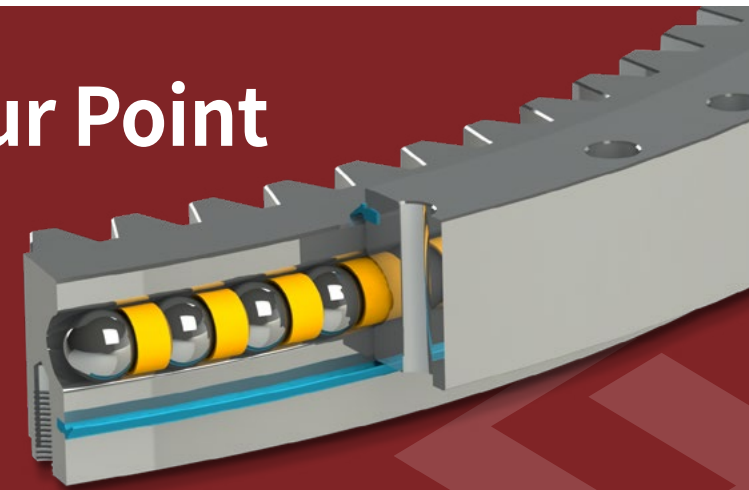
Cross Roller Bearing

Three Row Roller Bearing

Just by scanning QR code, you can easily
check more details on our website.



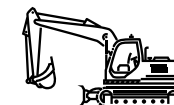
Single Row Four Point Bearing



The single row four point bearing consists of outer ring and inner ring.

In this bearing, the balls contact with the circular raceway at four-points in a single row. It can also support axial, radial load, and tilting moment load simultaneously.

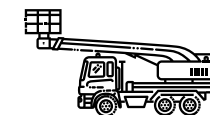
Applications



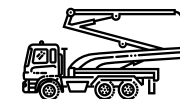
Excavator



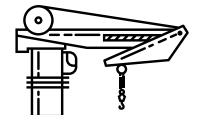
Mobile Crane



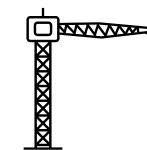
Aerial Work Platforms



Concrete Pump Car



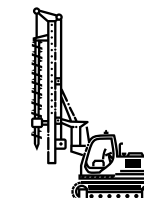
Gantry Crane



Tower Crane



Crawler Crane



Crawler Drill



Wind Turbine



Marine Current Turbine

Single Row Four Point Bearing

• **Double Row Eight Point Bearing**

Double Row Ball Bearing

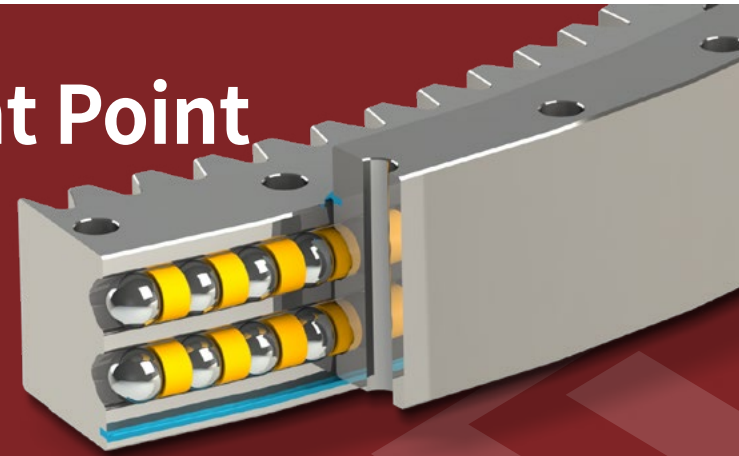
Cross Roller Bearing

Three Row Roller Bearing

Just by scanning QR code, you can easily check more details on our website.



Double Row Eight Point Bearing



The double row eight point bearing is the same as the single row four point bearing with an additional ball and raceway configuration.

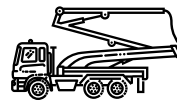
In this bearing, the balls contact with the circular raceway at eight-points in a single row. It can also support axial, radial load, and tilting moment load simultaneously.

It provides an increase in capacity over single row four point bearing design, therefore, compared with the single row four point bearing, the double row eight point bearing can support more loads per unit size than.

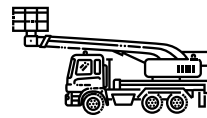
Applications



Wind Turbine



Concrete Pump Car



Aerial Work Platforms

Single Row Four Point Bearing

Double Row Eight Point Bearing

• **Double Row Ball Bearing**

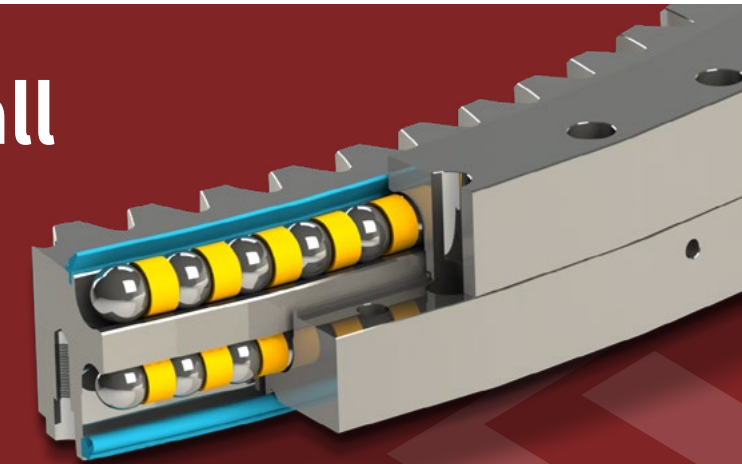
Cross Roller Bearing

Three Row Roller Bearing

Just by scanning QR code, you can easily check more details on our website.



Double Row Ball Bearing

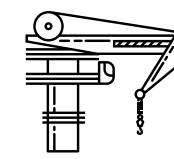


Double row ball bearing has been designed with three section rings, two of which can be used with either inner or outer ring, and it features two of balls, one each for upper and lower (different diameters)

The upper row has been designed to carry the thrust and radial load and tilting moment, so that the thrust load can be held by the upper row.

It can also be designed as one piece by bolting so as not to keep the upper and lower section rings separate.

Applications



Deck Crane

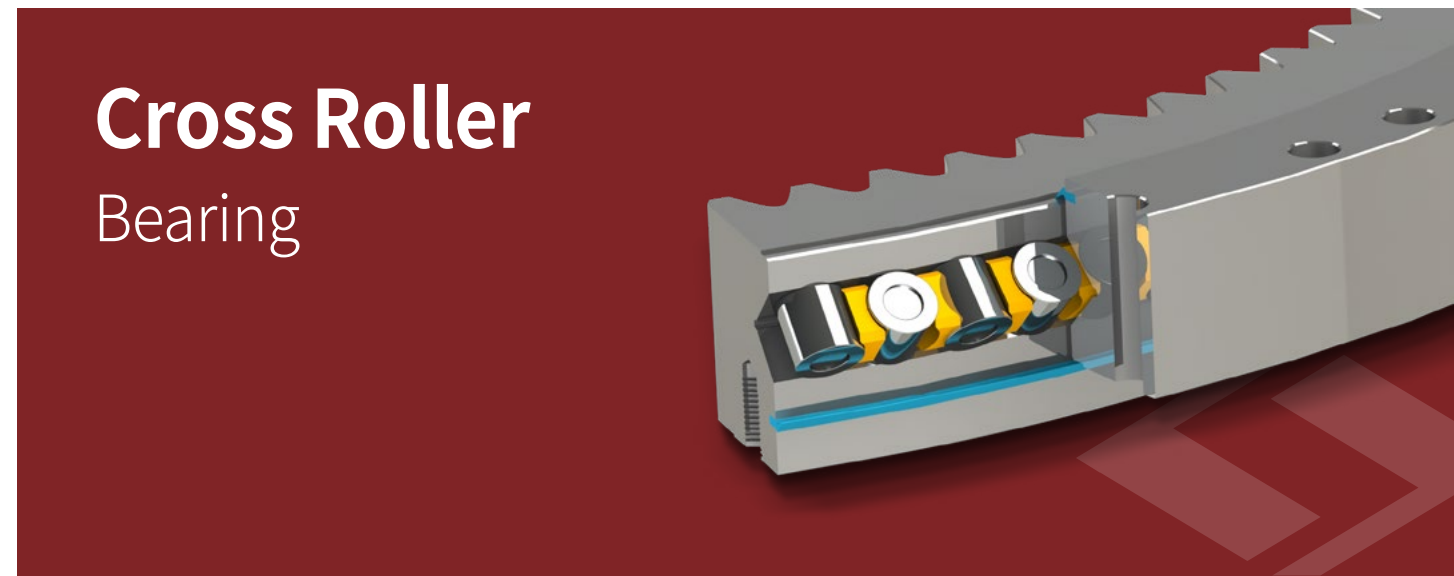


Crawler Crane

- Single Row Four Point Bearing
- Double Row Eight Point Bearing
- Double Row Ball Bearing
- **Cross Roller Bearing**
- Three Row Roller Bearing



Just by scanning QR code, you can easily check more details on our website.



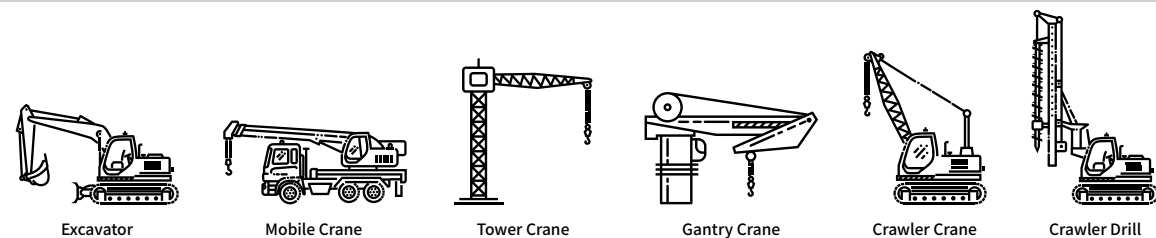
Cross Roller Bearing

Cross Roller Bearing is a compact structure bearing which rollers are arranged in square cross between inner and outer ring.

Cross roller offers a line of contact, versus a ball bearing's point contact. The line of contact creates a broader contact surface that can support high radial load as well as axial load and tilting moment load simultaneously.

It provides a higher theoretical capacity per unit size, greater operating performance for torque and stiffness than single row four point bearing design.

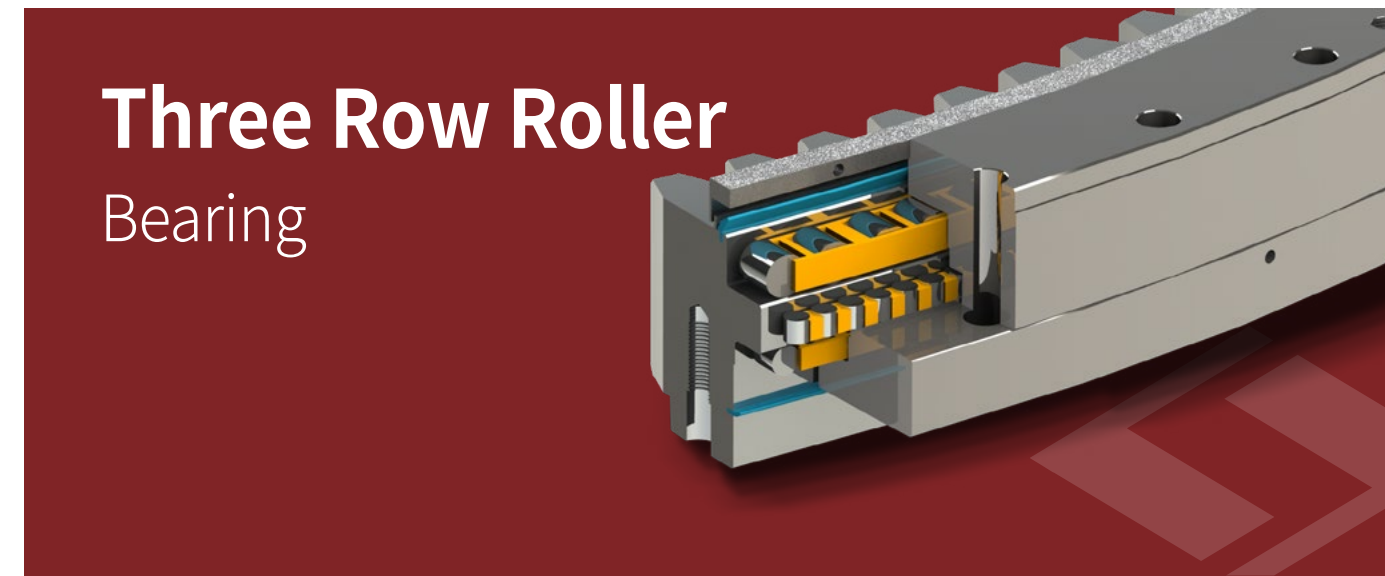
Applications



- Single Row Four Point Bearing
- Double Row Eight Point Bearing
- Double Row Ball Bearing
- Cross Roller Bearing
- **Three Row Roller Bearing**



Just by scanning QR code, you can easily check more details on our website.

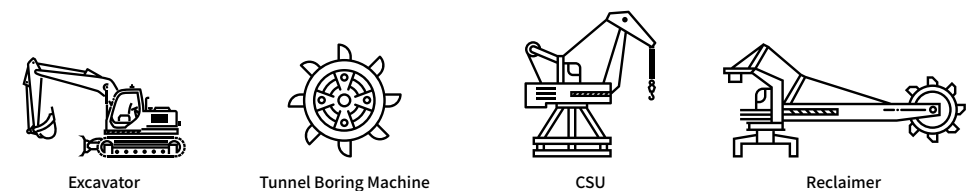


Three Row Roller Bearing

The three row roller bearing consists of three independent rows of rollers and are used in highly demanding conditions.

Since all loadings are transmitted directly to raceway which are perpendicular to the load direction, the capacity of each roller and raceway surface is utilized in the most efficient manner. It offers more capacity per unit size than any other bearings.

Applications





Technical Support



• Technical Support

The slewing bearings of SHIN IL comply with the customer requirements.



Just by scanning QR code, you can easily check more details on our website.

Numbering

S I S T R I - 1 2 3 5

The initial of SHIN IL slewing bearing

- Internal Gear & External Gear : Tip Circle Dia.
- Ungeared(Gearless Type) : Outside Dia.

Gear Type

- I : Internal Gear
- O : External Gear
- Empty : Gearless

Bearing Raceway Type

- Empty : Single Ball Type
- D : Double Ball Type
- R : Cross Roller Type
- TR : 3 Row Roller Type
- AD : Angular Double Ball Type

The initial of SHIN IL slewing bearing

Certification



Shop Approval - GL

ISO 9001 & 14001 & K-OHSAS 18001



Patent & Utility Model Registration

Component Certificate - DNV

Statement Of Compliance - DNV



LOCATION

- ① SHIN IL PRECISION
- ② SHIN IL SR
- ③ SHIN IL PRECISION INDUSTRY(YANTAI)
- ④ SHIN IL METAL FORGING(YANTAI)
- ⑤ SHIN IL TECHNOLOGY (JIANGYIN)

• Location



Just by scanning QR code, you can easily check more details on our website.



SHIN IL is doing its best to increase customer value.

HOLDING COMPANY

SHIN IL GLOBAL CO., LTD.

158-30, Gwahakdanji-ro, Sacheon-myeon, Gangneung-si, Gangwon-do, Republic of Korea
 Tel. +82-33-652-4721 Fax. +82-33-652-4725
 E-mail. sales@shinil-brg.com

FULL PRODUCTION LINE FOR SMALL & MEDIUM SIZE

SHIN IL PRECISION INDUSTRY(YANTAI) CO., LTD.

180 Xinhai Street, Fu Shan New & High Technology Industry Zone, Yantai, Shan Dong, China
 Tel. +86-535-630-2170~3 Fax. +86-535-630-2175
 E-mail. sales@shinil-brg.com

FULL PRODUCTION LINE FOR LARGE SIZE

SHIN IL PRECISION CO., LTD.

582, Gangbyeon-ro, Gangneung-si, Gangwon-do, Republic of Korea
 Tel. +82-33-652-4721 Fax. +82-33-652-4725
 E-mail. sales@shinil-brg.com

RAW MATERIAL SOURCING FORGING FOR ROLLED RING & Q/T

SHIN IL METAL FORGING(YANTAI) CO., LTD.

No. 39, Shijiazhuang Road, Yantai Economic and Technological Development Zone, Shandong Province, China
 Tel. +86-535-216-1755~7 Fax. +86-535-216-1755~7
 E-mail. sales@shinil-brg.com

FULL PRODUCTION LINE FOR SMALL & MEDIUM SIZE

SHIN IL SEWING RING CO., LTD.

158-30, Gwahakdanji-ro, Sacheon-myeon, Gangneung-si, Gangwon-do, Republic of Korea
 Tel. +82-33-652-4782 Fax. +82-33-652-4783
 E-mail. sales@shinil-brg.com

FULL PRODUCTION LINE FOR SMALL & MEDIUM SIZE

SHIN IL TECHNOLOGY (JIANGYIN) CO., LTD.

No.10 East Huagang Road, Jiangyin City, Jiangsu Province, China
 Tel. +86-510-8603-6721 Fax. +86-510-8603-6723
 E-mail. sales@shinil-brg.com



SHIN IL

Slewing bearing Global Leader

www.shinil-brg.com

